

Garden Pump

STANDARD Series

The STANDARD series pumps are with an automatic ejector system, find many uses in domestic applications, gardens and supply water from wells, and so on.

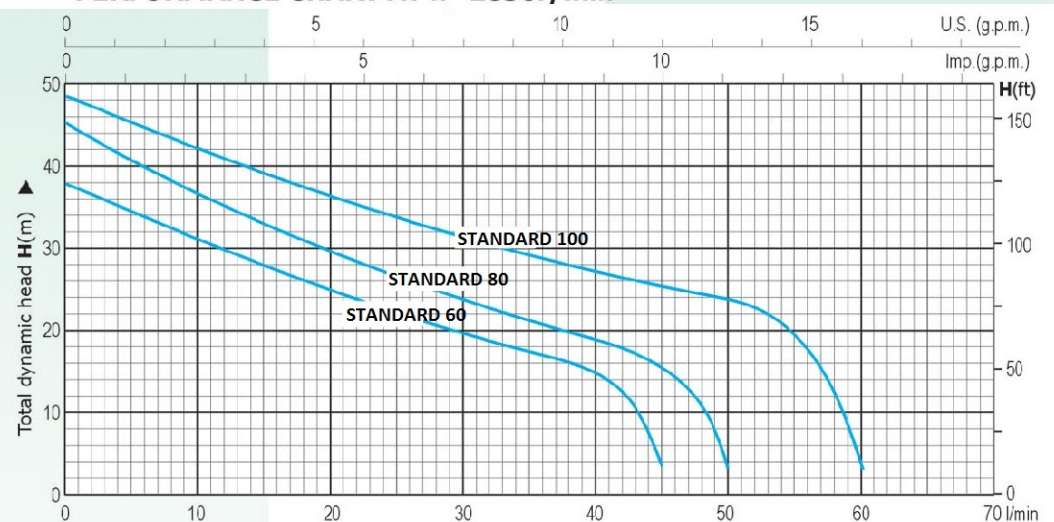
These pumps are suitable for clean water and chemically non-aggressive liquid. They are very reliable, safe and simple to use.

- **Pump body:** Cast iron
- **Impeller:** Brass (noryl if required)
- **Motor:** Closed, externally ventilated
- **Insulation class:** B (Class F if required)
- **Protection class:** IP44 / IP54
- **Duty:** Continuously rated
- **Mechanical seal:** $\phi 12$ ceramic steatite/graphite
- **Shaft:** Carbon steel AISI 1045 (Stainless steel AISI 420 if required)
- **Thermal Protector**



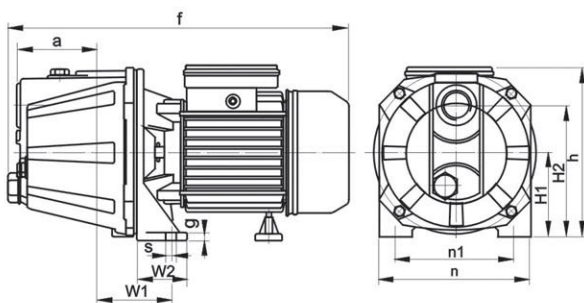
The normal power standard is 220V 50Hz single phase.
 Three phase 220/380V/50Hz, 220/440V/60Hz,
 Single phase 230V, 240V, 127V, 110V, 115V/60Hz
 models are available on request.

PERFORMANCE CHART AT n=2850r/min



PERFORMANCE DATA

TYPE	Power		Absorbed Power kW	R.P.M	Q.Max (l/min)	H.Max (m)	S.Head (m)	Pipe Dia	L×W×H (mm)	N.W (kg)
	HP	kW								
STANDARD 60	0.5	0.37	0,69	2850	45	38	9	1"×1"	410×210×220	13.0
STANDARD 80	0.75	0.55	0,8		50	45				13.5
STANDARD 100	1	0.75	1,1		60	48				14.1



DIMENSIONS

TYPE	DIMENSIONS(mm)										
	a	f	h	H1	H2	W1	W2	n	n1	g	s
STANDARD 60	90	380	196	98	152	79	55	182	142	9	11
STANDARD 80	90	380	196	98	152	79	55	182	142	9	11
STANDARD 100	90	380	196	98	152	79	55	182	142	9	11